



BHARATH SANCHAR NIGAM LIMITED
(A Govt Of India Enterprises)
O/O THE CHIEF GENERAL MANAGER TELECOMMUNICATIONS
KARNATAKA CIRCLE NO.1 SWAMY VIVEKANANDA ROAD
HALASURU BANGALORE 560 008

AMENDMENT IV

To:
ALL PROSPECTIVE BIDDERS,

No.MM/10-20/2006-07/ 40M Towers Dated @ BG-8 the 29.11.2006

SUB: Amendment to the Tender on "40M NARROW BASE LIGHT WEIGHT TOWER" of even no. Dtd 18.10.2006.

REF: 1.This office Tender No.MM/10-20/2006-07/40M Towers dtd 18.10.2006.
2. This office amendments dated 21.11.2006, 23.11.2006 & 25.11.2006

In continuation of this office Notice Inviting Tender for "40M NARROW BASE LIGHT WEIGHT TOWER" of even no. Dtd 18.10.2006 and amendments cited under reference 2. the following Amendment is issued.

In the Tender Document under Section V Schedule of Requirements Note 2:"For the type of fixtures required, firms can visit at existing locations viz., Halasuru Telephone Exchange Premises, Bangalore" **may be read as " Three Sets of antenna mounting fixtures are to be supplied along with each tower for the purpose of GSM, as per the diagram enclosed below"**.

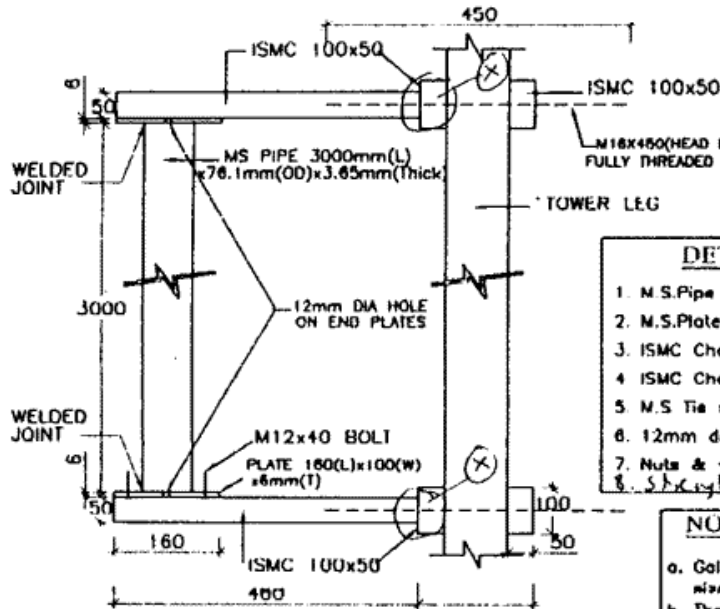
OTHER CONDITIONS IN THE TENDER DOCUMENT REMAIN UNALTERED.

for 29/11/06.
Asst General Manager (MM)
O/o Chief General Manager Telecom
Karnataka Circle Bangalore 560 008
Ph. No.25563635 Fax No.25542350

copy to :-

① The AGM(NS) for publishing
in web-site pt.

ANTENNA MOUNTING FIXTURES FOR GSM TOWER



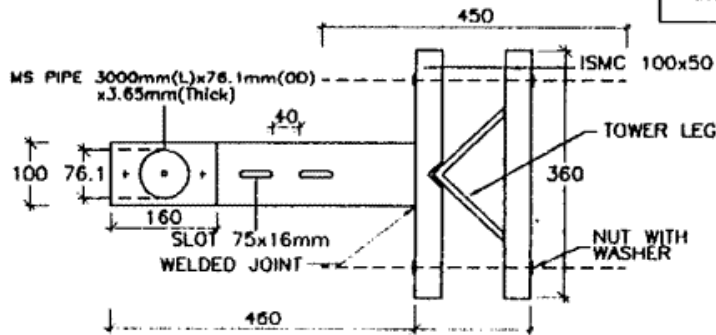
ELEVATION

DETAILS OF ANTENNA FIXTURE

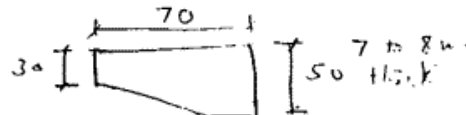
1. M.S.Pipe 3000mm(L)x76.1mm(OD)x3.65mm(Thick) - 1 No
2. M.S.Plates 100mm(L)x100mm(W)x6mm(Thick) - 2 Nos
3. ISMC Channels 100mmx50mm, 460mm(l) - 2 Nos
4. ISMC Channels 100mmx50mm, 360mm(l) - 4 Nos
5. M.S Tie rods 18mm dia, 450mm(L) fully threaded - 4 Nos
6. 12mm dia, 40mm(L) bolts with nuts & washers - 4 Nos
7. Nuts & washers for M.S tie rods 16mm dia - 8 Nos
8. Strengthening piece (as shown in fig 1) - 2 Nos

NOTE:

- a. Galvanisation to be done after making items as per size, cutting, welding & drilling holes.
- b. The above material and other relevant accessories such as nuts and washers should be hot dipped galvanised. Hot dip zinc galvanisation has to be done at 600 grams per square meter.



PLAN



Strengthening piece on inside of channel at sec Marked (X).
 Figure - ①
 N.M.L. 15/10/06

G.Nirmala G.Nirmala (D'MAN)	N.Milind N.Milind SDE(P&D)	M.G.Bostra M.G.Bostra SDE(P&D)	Anil Valshe Anil Valshe EE(P&D)	A.K.Bansal A.K.Bansal SE(A&P)
-----------------------------------	----------------------------------	--------------------------------------	---------------------------------------	-------------------------------------

APPROVED

[Signature]

G.M(D)/Mobile services
Koramangala, B'lore.

[Signature]
SDE(T)
of O C & MT - B'g

